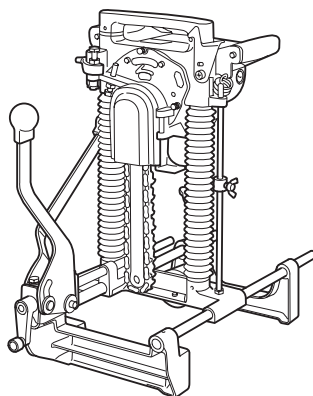


INSTRUCTION MANUAL  
MANUEL D'INSTRUCTION  
MANUAL DE INSTRUCCIONES



# Chain Mortiser Mortaiseuse à Chaîne Escopleadora de Cadena

## 7104L



**IMPORTANT:** Read Before Using.

**IMPORTANT :** Lire avant usage.

**IMPORTANTE:** Lea antes de usar.

# SPECIFICATIONS

| Model                  |                                 | 7104L  |
|------------------------|---------------------------------|--|
| Capacities             | Max. hole length (Longitudinal) | 130 mm (5-1/8")  |
|                        | Max. hole depth                 | 155 mm (6-1/8")  |
|                        | Max. hole width                 | 308 mm (12-1/8")   |
| No load speed (RPM)    |                                 | 3,200  |
| Dimensions (L × W × H) |                                 | 512 mm (20-5/32") × 298 mm (11-3/4") × 513 mm (20-3/16") |
| Net weight             |                                 | 17.3 kg (38.1lbs)  |

• Due to our continuing programme of research and development, the specifications herein are subject to change without notice.

- Specifications may differ from country to country.
- Weight according to EPTA-Procedure 01/2003

## For Your Own Safety Read Instruction Manual

### Before Operating Tool

Save it for future reference

### GENERAL SAFETY PRECAUTIONS

#### (For All Tools)

- KNOW YOUR POWER TOOL.** Read the owner's manual carefully. Learn the tool's applications and limitations, as well as the specific potential hazards peculiar to it.
- KEEP GUARDS IN PLACE** and in working order.
- REMOVE ADJUSTING KEYS AND WRENCHES.** Form habit of checking to see that keys and adjusting wrenches are removed from tool before turning it on.
- KEEP WORK AREA CLEAN.** Cluttered areas and benches invite accidents.
- DO NOT USE IN DANGEROUS ENVIRONMENT.** Do not use power tools in damp or wet locations, or expose them to rain. Keep work area well lighted. Do not use tool in presence of flammable liquids or gases.
- KEEP CHILDREN AWAY.** All visitors should be kept safe distance from work area.
- MAKE WORKSHOP KID PROOF** with padlocks, master switches, or by removing starter keys.
- DO NOT FORCE TOOL.** It will do the job better and safer at the rate for which it was designed.
- USE RIGHT TOOL.** Do not force tool or attachment to do a job for which it was not designed.
- WEAR PROPER APPAREL.** Do not wear loose clothing, gloves, neckties, rings, bracelets, or other jewelry which may get caught in moving parts. Nonslip footwear is recommended. Wear protective hair covering to contain long hair.
- ALWAYS USE SAFETY GLASSES.** Also use face or dust mask if cutting operation is dusty. Everyday eyeglasses only have impact resistant lenses, they are NOT safety glasses.
- SECURE WORK.** Use clamps or a vise to hold work when practical. It's safer than using your hand and it frees both hands to operate tool.
- DO NOT OVERREACH.** Keep proper footing and balance at all times.
- MAINTAIN TOOLS WITH CARE.** Keep tools sharp and clean for best and safest performance. Follow instructions for lubricating and changing accessories.
- DISCONNECT TOOLS** before servicing; when changing accessories such as blades, bits, cutters, and the like.
- REDUCE THE RISK OF UNINTENTIONAL STARTING.** Make sure switch is in off position before plugging in.
- USE RECOMMENDED ACCESSORIES.** Consult the owner's manual for recommended accessories. The use of improper accessories may cause risk of injury to persons.
- NEVER STAND ON TOOL.** Serious injury could occur if the tool is tipped or if the cutting tool is unintentionally contacted.
- CHECK DAMAGED PARTS.** Before further use of the tool, a guard or other part that is damaged should be carefully checked to determine that it will operate properly and perform its intended function - check for alignment of moving parts, binding of moving parts, breakage of parts, mounting, and any other conditions that may affect its operation. A guard or other part that is damaged should be properly repaired or replaced.
- DIRECTION OF FEED.** Feed work into a blade or cutter against the direction of rotation of the blade or cutter only.
- NEVER LEAVE TOOL RUNNING UNATTENDED. TURN POWER OFF.** Do not leave tool until it comes to a complete stop.
- REPLACEMENT PARTS.** When servicing, use only identical replacement parts.

**VOLTAGE WARNING:** Before connecting the tool to a power source (receptacle, outlet, etc.) be sure the voltage supplied is the same as that specified on the nameplate of the tool. A power source with voltage greater than that specified for the tool can result in **SERIOUS INJURY** to the user- as well as damage to the appliance. If in doubt, **DO NOT PLUG IN THE APPLIANCE**. Using a power source with voltage less than the nameplate rating is harmful to the motor.

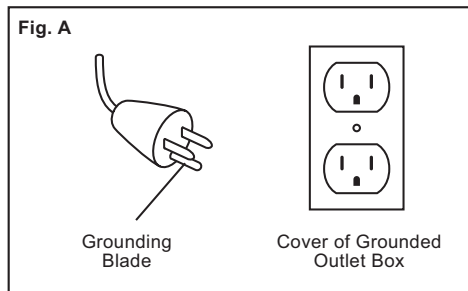
**USE PROPER EXTENSION CORD.** Use only three-wire extension cords that have three-prong grounding-type plugs and three-pole receptacles that accept the tool's plug. Make sure your extension cord is in good condition. Replace or repair damaged or worn cord immediately. When using an extension cord, be sure to use one heavy enough to carry the current your product will draw. An undersized cord will cause a drop in line voltage resulting in loss of power and overheating. Table 1 shows the correct size to use depending on cord length and nameplate ampere rating. If in doubt, use the next heavier gage. The smaller the gage number, the heavier the cord.

Table 1: Minimum gage for cord

| Ampere Rating |               | Volts | Total length of cord in feet |        |                 |         |
|---------------|---------------|-------|------------------------------|--------|-----------------|---------|
|               |               | 120V  | 25 ft.                       | 50 ft. | 100 ft.         | 150 ft. |
| More Than     | Not More Than | AWG   |                              |        |                 |         |
| 0             | 6             |       | 18                           | 16     | 16              | 14      |
| 6             | 10            |       | 18                           | 16     | 14              | 12      |
| 10            | 12            |       | 16                           | 16     | 14              | 12      |
| 12            | 16            |       | 14                           | 12     | Not Recommended |         |

**GROUNDING INSTRUCTIONS:**

This tool should be grounded while in use to protect the operator from electric shock. The tool is equipped with a three-conductor cord and three-prong grounding type plug to fit the proper grounding type receptacle. The green (or green and yellow) conductor in the cord is the grounding wire. Never connect the green (or green and yellow) wire to a live terminal. Your unit is for use on 120 volts and has a plug that looks like Fig. "A".



**ADDITIONAL SAFETY RULES**

1. Use this tool only to cut holes in wood.
2. This tool is for cutting holes in flat-surfaced wood. Never use it for cutting holes in a log.
3. Wear ear protectors.
4. Handle the cutter chain carefully; it is very sharp.
5. Place the workpiece on wood blocks or short beams to prevent the cutter chain from hitting the ground, floor, etc., causing damage to the cutter chain at the time of hole breakthrough.
6. Check the cutter chain carefully for cracks or damage before operation. Replace cracked or damaged cutter chain immediately.
7. Secure the tool to the workpiece firmly.
8. Inspect for and remove nails or foreign matter from the workpiece before operation.
9. Do not operate the tool with the safety cover open.
10. Do not wear gloves during operation.
11. Keep hands away from moving parts.
12. Remove the tool from the workpiece after operation to keep it from falling off and possibly causing injury.
13. Don't abuse cord. Never yank cord to disconnect it from the receptacle. Keep cord away from heat, oil, water and sharp edges.

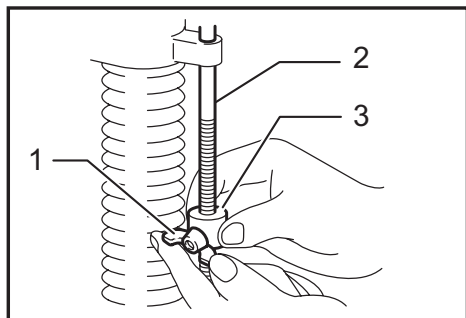
**SAVE THESE INSTRUCTIONS.**

## FUNCTIONAL DESCRIPTION

### ⚠ CAUTION:

- Always be sure that the tool is switched off and unplugged before adjusting or checking function on the tool.

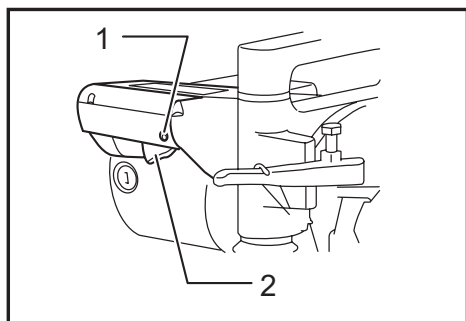
### Adjusting depth of cut



► 1. Wing bolt 2. Stopper pole 3. Stopper

Loosen the wing bolt on the stopper. Move the stopper to the desired position and tighten the wing bolt. When tightened, the tip of the wing bolts should contact the flat surface of the stopper pole. The numbers indicated on the stopper pole are in cm units (3 mm (1/8") per graduation).

### Switch action



► 1. Hole for padlock 2. Switch trigger

### ⚠ CAUTION:

- Before plugging in the tool, always check to see that the switch trigger actuates properly and returns to the "OFF" position when released.

To start the tool, simply pull the switch trigger. Release the switch trigger to stop.

A hole is provided in the handle for insertion of a padlock to lock the tool off.

### ⚠ WARNING:

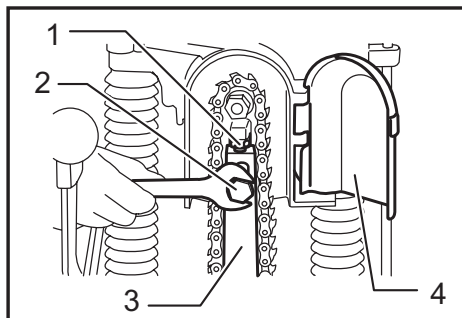
- Do not use a lock with a shank or cable any smaller than 2.5 mm (0.1") in diameter.

## ASSEMBLY

### ⚠ CAUTION:

- Always be sure that the tool is switched off and unplugged before carrying out any work on the tool.

### Installing or removing cutter chain



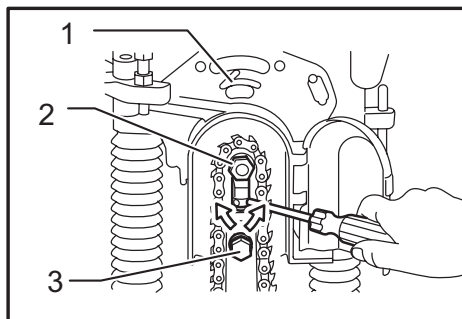
► 1. Adjusting screw 2. Hex bolt 3. Chain bar 4. Chain cover

### ⚠ WARNING:

- Always be sure that the tool is switched off and unplugged before installing or removing the cutter chain.
- Always close the chain cover after installing, removing or adjusting the cutter chain.

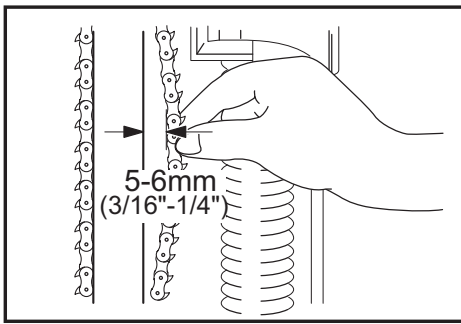
To install the cutter chain, open the chain cover. Loosen the hex bolt securing the chain bar and the adjusting screw.

Orient the cutters in the direction of the arrow on the tool (rotational direction). Attach the cutter chain to the sprocket first and then to the chain bar. Semi-tighten the hex bolt.

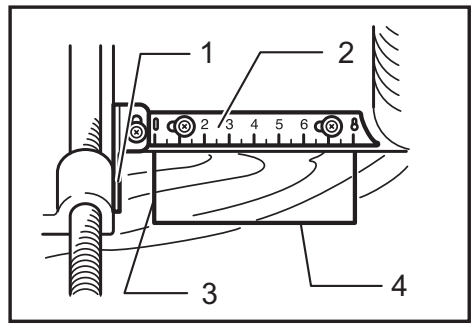


► 1. Arrow 2. Sprocket 3. Hex bolt

Turn the adjusting screw to increase the tension on the cutter chain. Pull the middle of the cutter chain lightly. When there is a clearance of approx. 5 - 6 mm (3/16" - 1/4") between the chain bar and the cutter chain, the tension on the cutter chain is adequate.

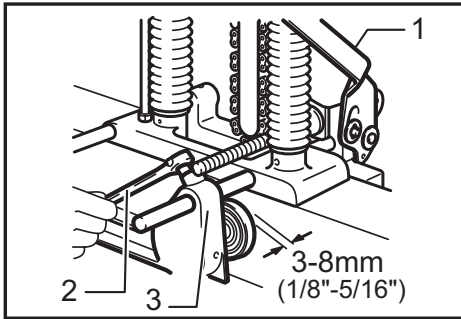


After adjusting the tension, tighten the hex bolt firmly to secure the chain bar. Additionally tighten slightly the adjusting screw. Close the chain cover. To remove the cutter chain, follow the installation procedures in reverse.



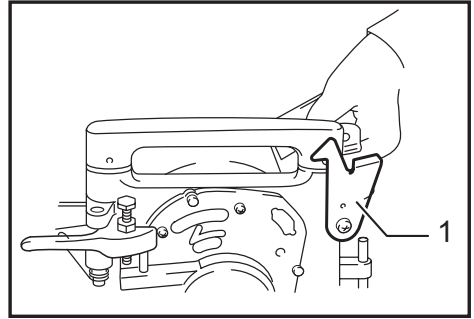
► 1. Indicator plate 2. Indication plate 3. Cutting line (A) 4. Cutting line (B)

### Securing tool to workpiece

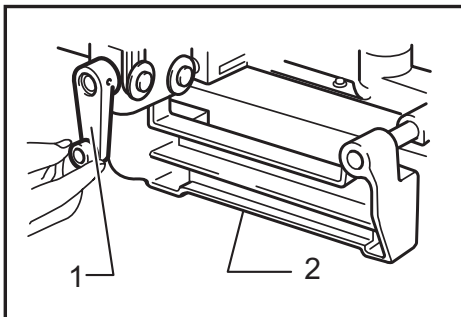


► 1. Lever (A) 2. Rear vise 3. Vise lever

### OPERATION



► 1. Hook



► 1. Setting handle 2. Front vise

Loosen the vise lever and move the rear vise backward. Place the tool on the workpiece so that the front vise contacts the side of the workpiece. Move the rear vise forward until the distance between the rear vise and the workpiece is 3 - 8 mm (1/8" - 5/16") Tighten the vise lever to secure the rear vise. Move the tool so that the "0" on the indication plate is aligned with the cutting line (A). Push the lever (A) down fully to secure the workpiece.

Turn the setting handle until the front edge of the yellow indicator plate is aligned with the cutting line (B).

Grasp firmly the grips on either side. Switch on the tool and wait until the cutter chain attains full speed. Then release the hook and lower the tool head to cut in the workpiece. Do not apply excessive pressure to the tool. This may not only decrease the working efficiency but also cause a dangerous reaction. Feed slowly at the beginning of a cutting operation, at the time of hole breakthrough and when cutting a knot in the workpiece. After cutting, gently raise the tool head until you can hook the tool head back onto the hook. Then switch off the tool. Raise the lever (A) and remove the tool from the workpiece.

#### **⚠WARNING:**

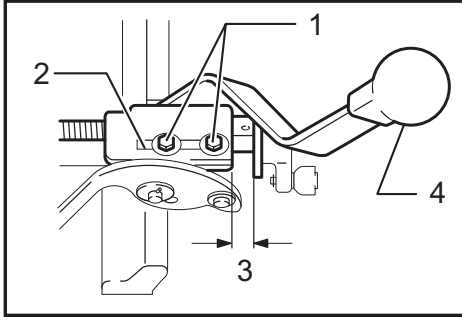
- Always hook the tool head back onto the hook when not operating the tool.
- Never attempt to cut a twisted or warped workpiece which the tool is not secured firmly to.

### Adjusting indicator plate and indication plate

The yellow indicator plate and indication plate are factory adjusted for the standard equipped cutter chain 18 mm (23/32"). If the alignment is off, for some reason, or when using another size cutter chain, loosen the screws and adjust the yellow indicator plate and indication plate.

# Enlarging hole

## 1. Transverse (width) enlargement



- 1. Hex bolts 2. Gauge plate 3. Travel distance (D)  
4. Lever (B)

A hole can be enlarged transversely by adjusting the gauge plate. Max. expansion of hole width is 15 mm (5/16")

**EXAMPLE** When cutting a hole 25 mm (1") wide using a cutter chain 18 mm (23/32"), proceed as follows:

- Push the lever (B) away from you. Loosen the hex bolts securing the gauge plate.
- Adjust the gauge plate so that the travel distance (D) is 7 mm (9/32"); that is,  $25 \text{ mm (1")} - 18 \text{ mm (23/32")} = 7 \text{ mm (9/32")}$ . Tighten the hex bolts to secure the gauge plate.
- Cut the first hole with the lever (B) pushed away from you. Then pull the lever (B) toward you and cut again to enlarge the hole.

### NOTE:

- The gauge plate is factory adjusted for cutting a hole 30 mm (1-3/16") wide using a cutter chain 18 mm (23/32").

## 2. Longitudinal (length) enlargement

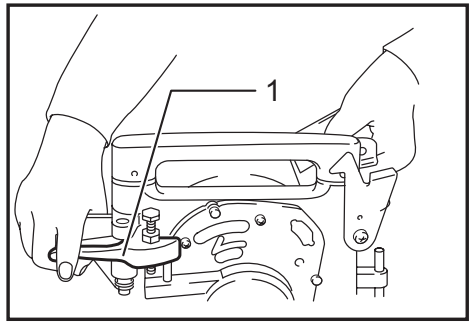
Hole length can be determined in three steps shown in the table below.

| Cutter chain position | Hole length to be cut               |
|-----------------------|-------------------------------------|
| Original position     | 52.5 mm (2-1/16")                   |
| No.1 set position     | 52.5 mm (2-1/16") - 105 mm (4-1/8") |
| No.2 set position     | 77.5 mm (3-1/16") - 130 mm (5-1/8") |

### NOTE:

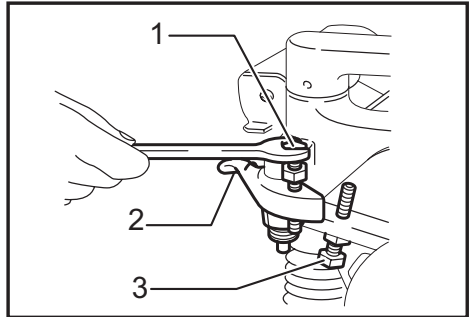
- A hole a little longer than predetermined may be cut depending upon the cutter chain tension.
- The adjusting hex bolts are factory adjusted for cutting holes 90 mm (3-9/16") long in the No.1 set position and 120 mm (4-3/4") long in the No.2 set position.

Push down the right-hand grip while raising the left-hand grip. Make sure that the adjusting hex bolt slips into place securely.



- 1. Lever (C)

Loosen the hex nut securing the adjusting hex bolt. Turn the adjusting hex bolt until the cutter chain reaches the desired position, then tighten the hex nut.



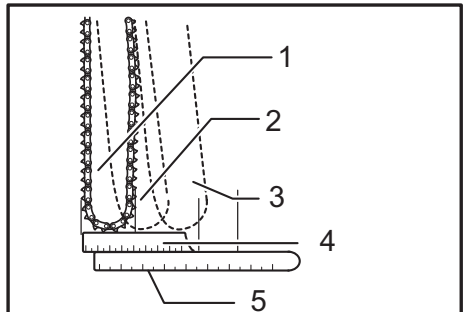
- 1. Adjusting hex bolt for No. 1 set position 2. Lever (C) 3. Adjusting hex bolt for No. 2 set position

### ⚠WARNING:

- When using pressure to turn the adjusting hex bolt or hex nut, be careful not to allow the adjusting hex bolt to slip off the set position.

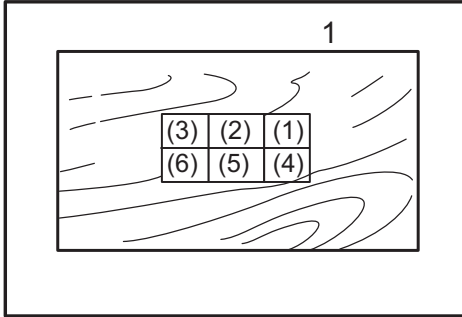
To bring the cutter chain back to the perpendicular (original) position, pull the lever (C) toward you while pressing down on the right-hand grip and slightly raising the left-hand grip and move the cutter chain back to its original position.

When cutting a hole, first use the perpendicular position, then No.1 set position and finally No.2 set position. Always safely hook the tool head back onto the hook when changing the cutter chain position.



- 1. Original position 2. No.1 set position 3. No.2 set position 4. Indication plate 5. Ruler

When enlarging a hole both transversely and longitudinally, cut the holes in the order indicated from No.(1) to (6) as shown. This makes for more easy and efficient hole enlargement.

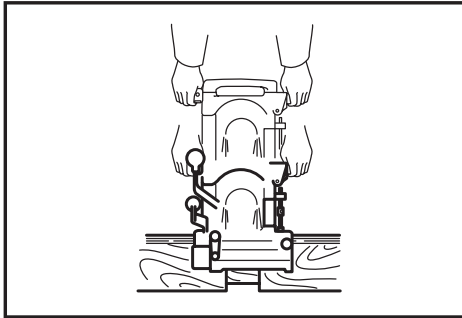


► 1. Front base

**⚠WARNING:**

- Never attempt to enlarge a hole with the cutter chain still within the hole. This will cause unstable and dangerous operation.
- Never angle the cutter chain when cutting the first hole, or a dangerous kickback may result. Always have the cutter chain set to the perpendicular position when cutting the first hole.

Lap joints up to 130 mm (5-1/8") can be cut with this tool.



**NOTE:**

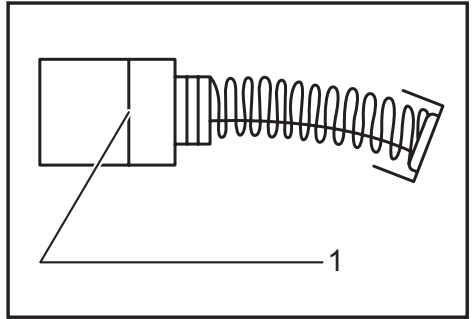
- Lap joints can be cut only on the front (side away from you) of the workpiece.

## MAINTENANCE

**⚠CAUTION:**

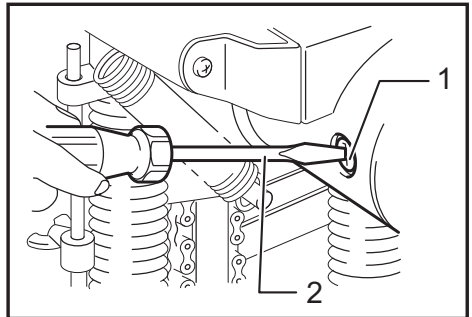
- Always be sure that the tool is switched off and unplugged before attempting to perform inspection or maintenance.
- Never use gasoline, benzine, thinner, alcohol or the like. Discoloration, deformation or cracks may result.

## Replacing carbon brushes



► 1. Limit mark

Remove and check the carbon brushes regularly. Replace when they wear down to the limit mark. Keep the carbon brushes clean and free to slip in the holders. Both carbon brushes should be replaced at the same time. Use only identical carbon brushes. Use a screwdriver to remove the brush holder caps. Take out the worn carbon brushes, insert the new ones and secure the brush holder caps.



► 1. Brush holder cap 2. Screwdriver

## Lubrication

After use, remove dirt, chips and foreign matter adhering to the tool. Then oil the moving parts (especially cutter chain) and the contact portions.

To maintain product SAFETY and RELIABILITY, repairs, carbon brush inspection and replacement, any other maintenance or adjustment should be performed by Makita Authorized or Factory Service Centers, always using Makita replacement parts.

# OPTIONAL ACCESSORIES

## **⚠ CAUTION:**

- These accessories or attachments are recommended for use with your Makita tool specified in this manual. The use of any other accessories or attachments might present a risk of injury to persons. Only use accessory or attachment for its stated purpose.

If you need any assistance for more details regarding these accessories, ask your local Makita Service Center.

- Cutter chain
- Chain bar for 30 mm (1-3/16")
- Sprocket 4 for 30 mm (1-3/16")
- Oil supply (100 cc)
- Wrench 13-17

**NOTE:** Some items in the list may be included in the tool package as standard accessories. They may differ from country to country.

## MAKITA LIMITED WARRANTY

Please refer to the annexed warranty sheet for the most current warranty terms applicable to this product. If annexed warranty sheet is not available, refer to the warranty details set forth at below website for your respective country.

United States of America: [www.makitatools.com](http://www.makitatools.com)

Canada: [www.makita.ca](http://www.makita.ca)

Other countries: [www.makita.com](http://www.makita.com)



## SPECIFICATIONS

| Modèle                 |   | 7104L  |
|------------------------|---|--|
| Capacités              | Longueur totale du trou (longitudinale) | 130 mm (5-1/8")  |
|                        | Profondeur max. du trou                 | 155 mm (6-1/8")  |
|                        | Largeur max. du trou                    | 308 mm (12-1/8")   |
| Vitesse à vide (T/MIN) |   | 3 200  |
| Dimensions (L × P × H) |   | 512 mm (20-5/32") × 298 mm (11-3/4") × 513 mm (20-3/16") |
| Poids net              |   | 17,3 kg (38,1lbs)  |

- Étant donné l'évolution constante de notre programme de recherche et de développement, les spécifications contenues dans ce manuel sont sujettes à modification sans préavis.
- Les spécifications peuvent varier suivant les pays.
- Poids conforme à la procédure EPTA du 01/2003

**Pour votre propre sécurité, veuillez lire le manuel d'instructions**

### Avant d'utiliser l'outil

**Conservez-le pour référence ultérieure**

### PRÉCAUTIONS GÉNÉRALES

#### (POUR TOUS LES OUTILS)

1. **VOUS DEVEZ CONNAÎTRE VOTRE OUTIL ÉLECTRIQUE.** Lisez attentivement le manuel d'instructions. Familiarisez-vous avec les applications et limites de l'outil, ainsi qu'avec les risques potentiels qui lui sont spécifiques.
2. **MAINTENEZ LES PROTECTEURS EN PLACE** et en bon état de fonctionnement.
3. **RETIREZ LES CLÉS DE RÉGLAGE ET DE SERRAGE.** Prenez l'habitude de vous assurer que les clés de réglage et de serrage ont été retirées de l'outil avant de le mettre sous tension.
4. **MAINTENEZ LA ZONE DE TRAVAIL PROPRE.** Les zones de travail et les établis encombrés ouvrent grande la porte aux accidents.
5. **ÉVITEZ L'UTILISATION DANS UN ENVIRONNEMENT DANGEREUX.** N'utilisez pas les outils électriques dans les endroits humides ou mouillés, et ne les exposez pas à la pluie. Maintenez un éclairage adéquat dans la zone de travail. Ne vous servez pas de votre outil en présence de liquides ou gaz inflammables.
6. **MAINTENEZ LES ENFANTS À L'ÉCART.** Toute autre personne que l'utilisateur de l'outil doit se tenir à une distance sûre de l'aire de travail.
7. **FAITES EN SORTE QUE L'ATELIER SOIT SANS DANGER POUR LES ENFANTS,** en y posant des cadenas, un interrupteur principal, ou en retirant des équipements leurs clés de démarrage.
8. **NE FORCEZ PAS L'OUTIL.** Il effectuera un travail de meilleure qualité et plus sécuritaire s'il est utilisé au régime pour lequel il a été conçu.

9. **UTILISEZ LE BON OUTIL.** Ne forcez pas un outil ou accessoire à effectuer un travail pour lequel il n'a pas été conçu.
10. **PORTEZ DES VÊTEMENTS ADÉQUATS.** Ne portez ni vêtements ni gants amples, ni cravate, anneaux/bagues, bracelets ou autres bijoux susceptibles d'être happés par les pièces mobiles de l'outil. Le port de chaussures antidérapantes est recommandé. Portez un filet de protection pour envelopper les cheveux longs.
11. **PORTEZ TOUJOURS DES LUNETTES DE SÉCURITÉ.** Si le travail de coupe dégage de la poussière, portez également un écran facial ou un masque antipoussières. Les lunettes ordinaires ne sont munies que de lentilles résistantes aux chocs ; elles ne constituent PAS des lunettes de sécurité.
12. **FIXEZ BIEN LA PIÈCE.** Lorsque cela est possible, fixez la pièce à travailler à l'aide de dispositifs de serrage ou d'un étau. Cela est plus sécuritaire que l'utilisation de la main et libère les deux mains pour le maniement de l'outil.
13. **MAINTENEZ UNE BONNE POSITION.** Assurez-vous d'une bonne prise au sol et d'une bonne position d'équilibre en tout temps.
14. **PRENEZ SOIN DES OUTILS.** Maintenez les outils bien aiguisés et propres pour assurer une performance sécuritaire et optimale. Suivez les instructions de lubrification et de changement des accessoires.
15. **DÉBRANCHEZ LES OUTILS** avant tout travail de réparation ou avant de changer les accessoires tels que lames, embouts/forets/fraises et couteaux.
16. **RÉDUISEZ LES RISQUES DE MISE EN MARCHÉ ACCIDENTELLE.** Assurez-vous que l'interrupteur est en position d'arrêt avant de brancher l'outil.
17. **UTILISEZ LES ACCESSOIRES RECOMMANDÉS.** Consultez le manuel de l'utilisateur pour savoir quels sont les accessoires recommandés. L'utilisation d'accessoires non adéquats peut comporter un risque de blessure.

18. **NE VOUS APPUYEZ JAMAIS SUR L'OUTIL.** Vous courez un risque de blessure grave si l'outil bascule ou si vous touchez accidentellement l'outil tranchant.
19. **VÉRIFIEZ S'IL Y A DES PIÈCES ENDOMMAGÉES.** Avant d'utiliser l'outil, tout protecteur ou dispositif endommagé doit être vérifié soigneusement afin de s'assurer qu'il fonctionne adéquatement et peut remplir la fonction pour laquelle il est conçu. Vérifiez si les pièces mobiles sont bien alignées et bien fixées, vérifiez la présence de pièces brisées, vérifiez que l'outil est bien monté et assurez-vous que rien ne peut entraver son bon fonctionnement. Un protecteur ou tout autre dispositif endommagé doit être adéquatement réparé ou remplacé.
20. **SENS D'ALIMENTATION.** Vous devez faire avancer la pièce à l'encontre de la lame ou de l'outil tranchant, non la faire progresser dans le même sens.
21. **NE LAISSEZ JAMAIS SANS SURVEILLANCE UN OUTIL EN MARCHÉ. COUPEZ LE CONTACT.** Attendez que l'outil se soit complètement arrêté avant de le quitter.
22. **PIÈCES DE RECHANGE.** Seules des pièces de rechange identiques aux originales doivent être utilisées lors des réparations.

**MISE EN GARDE RELATIVE À LA TENSION :** avant de brancher l'outil sur une source d'alimentation (prise ou autre dispositif), assurez-vous que la tension du circuit correspond à celle qui est spécifiée sur la plaque signalétique de l'outil. L'utilisation d'une source d'alimentation dont la tension est supérieure à celle spécifiée pour l'outil peut entraîner une **GRAVE BLESSURE** et endommager l'outil. En cas de doute, **NE BRANCHEZ PAS L'OUTIL.** L'utilisation d'une source d'alimentation dont la tension est inférieure à la valeur indiquée sur la plaque signalétique endommagera le moteur.

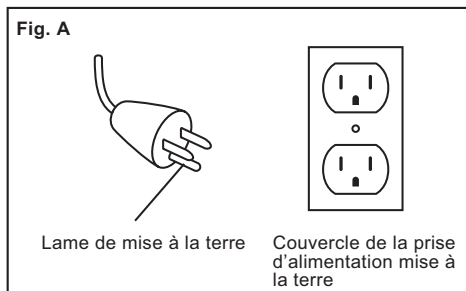
**UTILISEZ UN CORDON PROLONGATEUR ADÉQUAT.** N'utilisez que les cordons prolongateurs à trois fils et munis d'une fiche tripolaire, ainsi que des prises tripolaires adaptées à la fiche de l'outil. Assurez-vous que le cordon prolongateur est en bon état. Remplacez ou réparez sans tarder tout cordon endommagé ou usé. Lors de l'utilisation d'un cordon prolongateur, utilisez sans faute un cordon assez gros pour conduire le courant dont l'outil a besoin. Un cordon trop petit provoquera une baisse de tension de secteur, résultant en une perte de puissance et une surchauffe. Le Tableau 1 indique la dimension appropriée de cordon selon sa longueur et selon l'intensité nominale indiquée sur la plaque signalétique. En cas de doute sur un cordon donné, utilisez le cordon suivant (plus gros). Plus le numéro de gabarit indiqué est petit, plus le cordon est gros.

Tableau 1. Gabarit minimum du cordon

| Intensité nominale |             | Longueur totale du cordon en pieds |       |       |        |                |    |
|--------------------|-------------|------------------------------------|-------|-------|--------|----------------|----|
|                    |             | 120 V                              | 25 pi | 50 pi | 100 pi | 150 pi         |    |
| Plus de            | Pas plus de | Calibre américain des fils         |       |       |        |                |    |
|                    |             | 0                                  | 6     | 18    | 16     | 16             | 14 |
|                    |             | 6                                  | 10    | 18    | 16     | 14             | 12 |
|                    |             | 10                                 | 12    | 16    | 16     | 14             | 12 |
|                    |             | 12                                 | 16    | 14    | 12     | Non recommandé |    |

**INSTRUCTIONS POUR LA MISE À TERRE :**

Cet outil doit être mis à la terre pendant son utilisation, afin de protéger son utilisateur contre les chocs électriques. Il est équipé d'un cordon à trois conducteurs et d'une fiche tripolaire adaptée au type de prise correspondant. Le conducteur vert (ou vert et jaune) du cordon est le fil de mise à la terre. Ne raccordez jamais ce fil vert (ou vert et jaune) à une borne d'alimentation secteur. Cet appareil doit être utilisé sur un circuit de 120 volts et sa fiche est telle qu'illustrée sur la Fig. "A".



**RÈGLES DE SÉCURITÉ SUPPLÉMENTAIRES**

1. Utilisez cet outil uniquement pour découper des trous dans le bois.
2. Cet outil est conçu pour découper des trous dans les surfaces de bois planes. Ne l'utilisez jamais pour découper des trous dans une bûche.
3. Portez une protection d'oreilles.
4. Manipulez la chaîne coupante avec prudence, car elle est très affûtée.
5. Posez la pièce à travailler sur des blocs de bois ou de courtes poutres pour éviter que la chaîne coupante ne s'abîme en frappant le sol, le plancher, etc., à la fin de la coupe.
6. Vérifiez soigneusement l'absence de fissures ou de dommages sur la chaîne coupante avant l'utilisation. Remplacez immédiatement toute chaîne coupante fissurée ou endommagée.
7. Fixez solidement l'outil sur la pièce à travailler.
8. Avant de travailler votre pièce, inspectez-la et retirez-en tous les clous ou matériaux autres que la pièce elle-même.
9. N'utilisez pas l'outil en laissant le protecteur ouvert.
10. Ne portez pas de gants pour utiliser l'outil.

11. Gardez vos mains éloignées des pièces mobiles.
12. Retirez l'outil de la pièce à travailler après la coupe pour éviter qu'il ne blesse quelqu'un en basculant.
13. Ne maltraitez pas le cordon. Ne tirez jamais directement sur le cordon pour le débrancher de la prise. Maintenez le cordon à l'écart de la chaleur, de l'huile, de l'eau et des objets à bords tranchants.

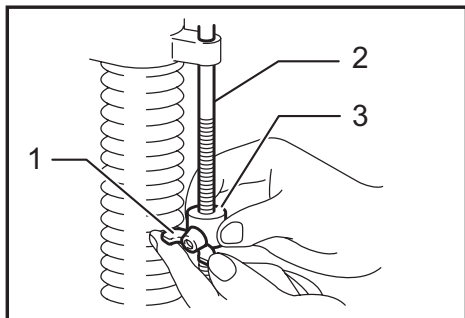
## CONSERVEZ CE MODE D'EMPLOI.

## DESCRIPTION DU FONCTIONNEMENT

### ⚠ ATTENTION :

- Assurez-vous toujours que l'outil est hors tension et débranché avant de l'ajuster ou de vérifier son fonctionnement.

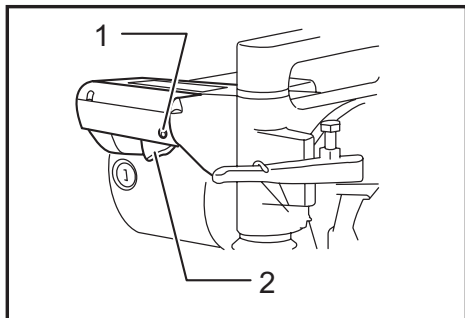
### Réglage de la profondeur de coupe



► 1. Boulon à oreilles 2. Tige d'arrêt 3. Butoir

Desserrez le boulon à oreilles sur la butée. Déplacez la butée jusqu'à la position désirée et serrez le boulon à oreilles. Une fois serré, le bout des boulons à oreilles doit entrer en contact avec la surface plane de la tige de butée. Les nombres indiqués sur la tige de butée sont en cm (à raison de 3 mm (1/8") par graduation).

### Interrupteur



► 1. Trou pour cadenas 2. Gâchette

### ⚠ ATTENTION :

- Avant de brancher l'outil, assurez-vous toujours que la gâchette fonctionne correctement et revient en position d'arrêt une fois relâchée.

Pour faire démarrer l'outil, appuyez simplement sur la gâchette. Pour l'arrêter, relâchez la gâchette. Un trou a été prévu dans la poignée pour l'insertion d'un cadenas permettant de déverrouiller l'outil.

### ⚠ MISE EN GARDE :

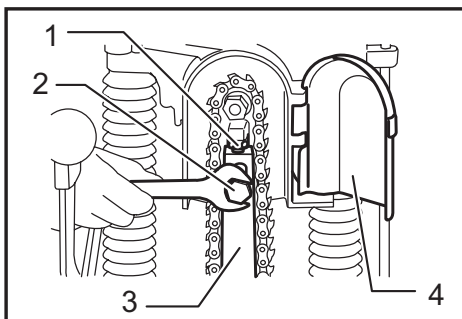
- N'utilisez pas un verrou dont la tige ou le câble a un diamètre inférieur à 2,5 mm (0,1").

## ASSEMBLAGE

### ⚠ ATTENTION :

- Avant d'effectuer toute intervention sur l'outil, assurez-vous toujours qu'il est hors tension et débranché.

### Installation ou retrait de la chaîne coupante

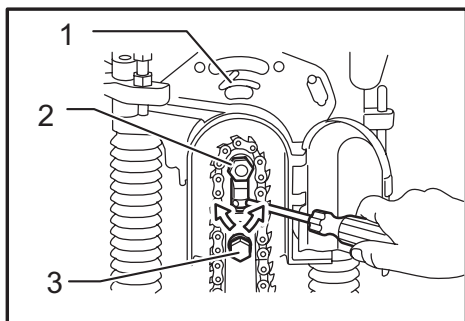


► 1. Vis de réglage 2. Boulon hexagonal 3. Guide-chaîne 4. Couvercle-chaîne

### ⚠ MISE EN GARDE :

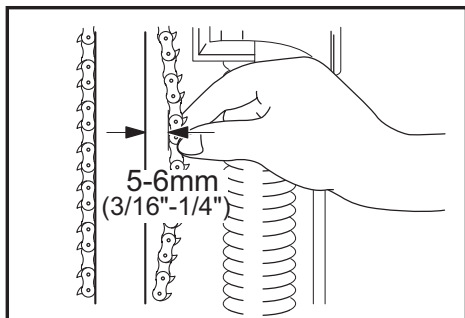
- Assurez-vous toujours que l'outil est hors tension et débranché avant d'installer ou de retirer la chaîne coupante.
- Fermez toujours le couvercle-chaîne avant d'installer, de retirer ou d'ajuster la chaîne coupante.

Pour installer la chaîne coupante, ouvrez d'abord le couvercle-chaîne. Desserrez le boulon hexagonal qui retient le guide-chaîne et le vis de réglage. Orientez les couteaux dans le sens de la flèche sur l'outil (sens de la rotation). Fixez d'abord la chaîne coupante à la roue dentée, puis au guide-chaîne. Serrez à moitié le boulon hexagonal.



► 1. Flèche 2. Roue dentée 3. Boulon hexagonal

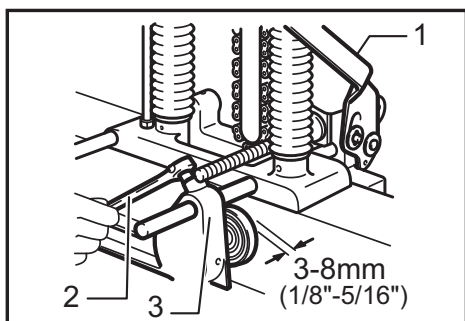
Tournez la vis de réglage pour augmenter la tension sur la chaîne coupante. Tirez légèrement la chaîne coupante par le milieu. La tension de la chaîne coupante est adéquate lorsqu'il y a un jeu d'environ 5 à 6 mm (3/16" à 1/4") entre le guide-chaîne et la chaîne de coupante.



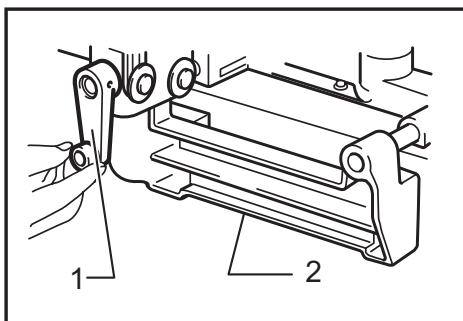
Une fois la tension ajustée, serrez fermement le boulon hexagonal pour immobiliser le guide-chaîne. Serrez aussi légèrement la vis de réglage. Fermez le couvre-chaîne.

Pour retirer la chaîne coupante, suivez les étapes de l'installation en sens inverse.

### Fixer l'outil sur la pièce à travailler

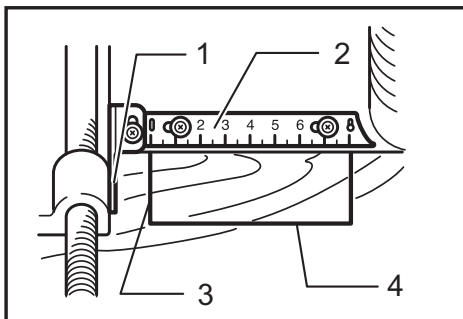


► 1. Levier (A) 2. Étau arrière 3. Levier de l'étau



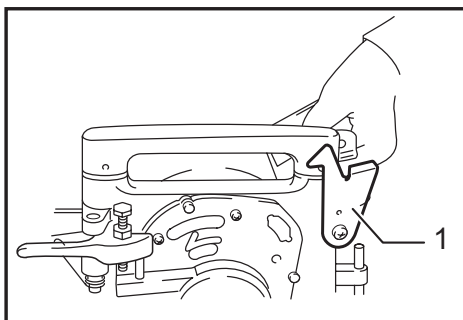
► 1. Poignée de positionnement 2. Étau avant

Desserrez le levier de l'étau et déplacez l'étau arrière vers l'arrière. Posez l'outil sur la pièce à travailler de sorte que l'étau avant entre en contact avec le côté de la pièce. Déplacez l'étau arrière vers l'avant jusqu'à ce que la distance entre l'étau arrière et la pièce à travailler soit de 3 à 8 mm (1/8" à 5/16"). Serrez le levier de l'étau pour immobiliser l'étau arrière. Déplacez l'outil de sorte que le chiffre « 0 », sur la plaque repère, soit aligné sur la ligne de coupe (A). Abaissez complètement le levier (A) pour immobiliser la pièce à travailler. Tournez la poignée de positionnement jusqu'à ce que le bord avant de la plaque indicatrice jaune soit alignée sur la ligne de coupe (B).



► 1. Plaque d'indication 2. Plaque repère 3. Ligne de coupe (A) 4. Ligne de coupe (B)

## UTILISATION



► 1. Crochet

Saisissez fermement les poignées de chaque côté. Mettez le contact et attendez que la chaîne coupante atteigne sa pleine vitesse. Libérez ensuite le crochet et abaissez la tête de l'outil pour découper dans la pièce à travailler. N'appliquez pas une pression trop grande sur l'outil. Non seulement cela risquerait d'affecter le fonctionnement de l'outil, mais cela comporte aussi un risque de dangereux choc en retour. Faites avancer l'outil lentement au début de la coupe, à la fin de la coupe et lorsque vous traversez un nœud dans la pièce à travailler. Après la coupe, soulevez doucement la tête de l'outil jusqu'à ce qu'il soit possible de la remettre sur le crochet. Mettez ensuite l'outil hors tension. Soulevez le levier (A) et retirez l'outil de la pièce à travailler.

#### ▲ MISE EN GARDE :

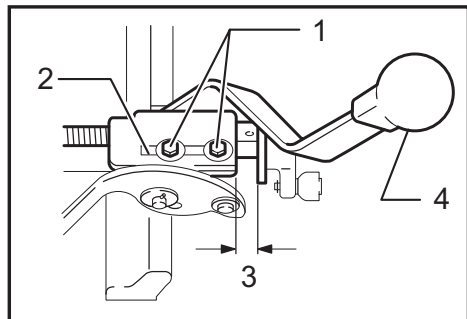
- Remettez toujours l'outil sur le crochet après l'utilisation.
- N'essayez jamais de couper une pièce tordue ou gondolée sur laquelle l'outil n'est pas fermement fixé.

## Régler la plaque indicatrice et la plaque repère

La plaque indicatrice jaune et la plaque repère sont réglées en usine pour la chaîne coupante standard de 18 mm (23/32") fournie. Si elles se désalignent pour une raison quelconque ou si vous utilisez une chaîne coupante de taille différente, desserrez les vis et réglez la plaque indicatrice jaune et la plaque repère.

## Agrandir le trou

### 1. Agrandissement transversal (en largeur)



- 1. Boulons hexagonaux 2. Plaque de gabarit  
3. Distance de course (D) 4. Levier (B)

Il est possible d'agrandir le trou transversalement en réglant la plaque d'écartement. L'expansion max. du trou en largeur est de 15 mm (5/16").

**EXEMPLE** Lorsque vous découpez un trou d'une largeur de 25 mm (1") à l'aide d'une chaîne coupante de 18 mm (23/32"), procédez comme suit :

- Poussez le levier (B) pour l'éloigner de vous. Desserrez les boulons hexagonaux qui retiennent la plaque d'écartement.
- Réglez la plaque d'écartement de sorte que la distance de course (D) soit de 7 mm (9/32"), puisque 25 mm (1") - 18 mm (23/32") = 7 mm (9/32"). Serrez les boulons qui retiennent la plaque d'écartement.
- Découpez le premier trou avec le levier (B) éloigné de vous. Tirez ensuite le levier (B) vers vous et découpez de nouveau pour élargir le trou.

#### NOTE :

- La plaque d'écartement est réglée en usine pour découper un trou de 30 mm (1-3/16") à l'aide d'une chaîne coupante de 18 mm (23/32").

### 2. Agrandissement longitudinal (en longueur)

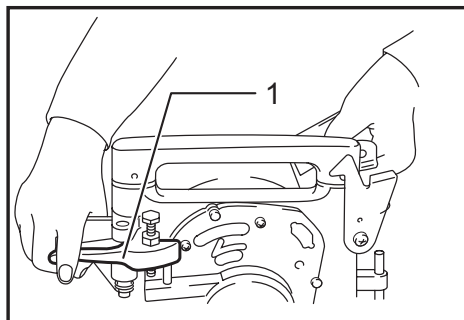
La longueur du trou peut être établie en trois étapes, tel qu'indiqué dans le tableau ci-dessous.

| Position de la chaîne coupante | Longueur de trou à découper         |
|--------------------------------|-------------------------------------|
| Position initiale              | 52,5 mm (2-1/16")                   |
| Position N° 1                  | 52,5 mm (2-1/16") - 105 mm (4-1/8") |
| Position N° 2                  | 77,5 mm (3-1/16") - 130 mm (5-1/8") |

#### NOTE :

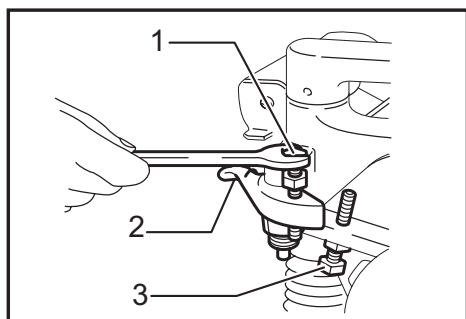
- Suivant la tension de la chaîne de coupe, il se peut que le trou découpé soit un peu plus long que la longueur préétablie.
- Les boulons de réglage hexagonaux sont ajustés en usine pour découper des trous de 90 mm (3-9/16") de long dans la position N° 1 et de 120 mm (4-3/4") de long dans la position N° 2.

Abaissez la poignée de droite tout en soulevant celle de gauche. Assurez-vous que le boulon de réglage hexagonal se mette solidement en place en glissant.



- 1. Levier (C)

Desserrez l'écrou hexagonal qui retient le boulon de réglage hexagonal. Tournez le boulon de réglage hexagonal jusqu'à ce que la chaîne coupante atteigne la position désirée, puis serrez l'écrou hexagonal.



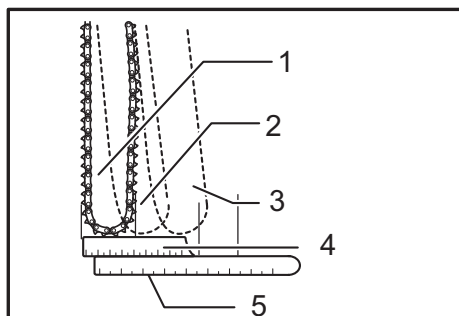
- 1. Réglage du boulon pour la position N° 1 2. Levier (C) 3. Réglage du boulon pour la position N° 2

### ⚠ MISE EN GARDE :

- Lorsque vous appliquez une pression pour faire tourner le boulon de réglage hexagonal ou l'écrou hexagonal, évitez de laisser le boulon de réglage hexagonal glisser hors position.

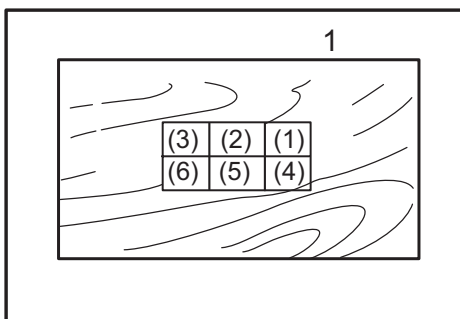
Pour ramener la chaîne coupante en position perpendiculaire (initiale), tirez le levier (C) vers vous tout en abaissant la poignée de droite et en élevant légèrement celle de gauche, et déplacez la chaîne coupante jusqu'à sa position initiale.

Lorsque vous découpez un trou, faites-le d'abord en position perpendiculaire, puis en position N° 1 et finalement en position N° 2. Avant de changer la position de la chaîne coupante, remettez toujours prudemment la tête de l'outil sur le crochet.



- 1. Position initiale 2. Position N° 1 3. Position N° 2 4. Plaque repère 5. Règle

Lorsque vous agrandissez un trou en longueur et en largeur, découpez dans l'ordre indiqué par les N° 1 à 6 sur l'illustration. Le travail d'agrandissement sera ainsi plus facile et plus efficace.

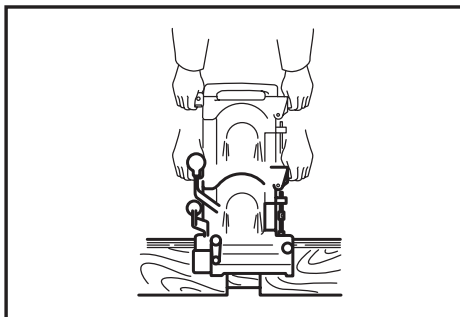


- 1. Semelle avant

### ⚠ MISE EN GARDE :

- N'essayez jamais d'agrandir un trou alors que la chaîne coupante se trouve toujours dedans. Cela rendrait l'outil instable et dangereux.
- Ne placez jamais la chaîne coupante en angle pour découper le premier trou, car cela comporte un risque de dangereux choc en retour. Pour découper le premier trou, placez toujours la chaîne coupante en position perpendiculaire.

Cet outil permet de découper des assemblages à recouvrement jusqu'à 130 mm (5-1/8").



### NOTE :

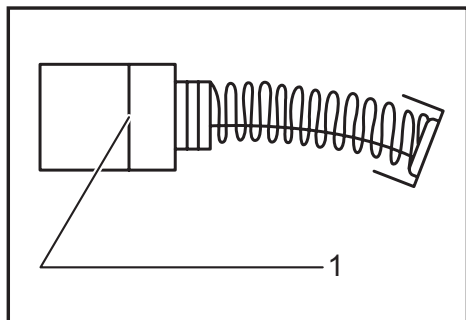
- Il n'est possible de découper les assemblages à recouvrement que par le côté avant (opposé à vous) de la pièce.

## ENTRETIEN

### ⚠ ATTENTION :

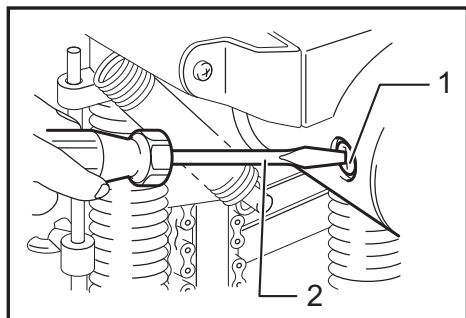
- Assurez-vous toujours que l'outil est hors tension et débranché avant d'y effectuer tout travail d'inspection ou d'entretien.
- N'utilisez jamais d'essence, de benzine, de solvant, d'alcool ou d'autres produits similaires. Une décoloration, une déformation, ou la formation de fissures peuvent en découler.

## Remplacement des charbons



► 1. Trait de limite d'usure

Retirez et vérifiez régulièrement les charbons. Remplacez-les lorsqu'ils sont usés jusqu'au trait de limite d'usure. Maintenez les charbons propres et en état de glisser aisément dans les porte-charbon. Les deux charbons doivent être remplacés en même temps. N'utilisez que des charbons identiques. Utilisez un tournevis pour retirer les bouchons de porte-charbon. Enlevez les charbons usés, insérez-en de nouveaux et revissez solidement les bouchons de porte-charbon.



► 1. Bouchon de porte-charbon 2. Tournevis

## Lubrification

Après l'utilisation, retirez la poussière, les copeaux et autres corps étrangers qui adhèrent à l'outil. Graissez ensuite les pièces mobiles (tout spécialement la chaîne coupante) et les pièces de contact. Pour maintenir la SÉCURITÉ et la FIABILITÉ du produit, les réparations, l'inspection et le remplacement des charbons, et tout autre travail d'entretien ou de réglage doivent être effectués dans une usine ou un centre de service après-vente Makita agréé, exclusivement avec des pièces de rechange Makita.

## ACCESSOIRES EN OPTION

### ⚠ ATTENTION :

- Ces accessoires ou pièces complémentaires sont recommandés pour l'utilisation avec l'outil Makita spécifié dans ce mode d'emploi. L'utilisation de tout autre accessoire ou pièce complémentaire peut comporter un risque de blessure. N'utilisez les accessoires ou pièces qu'aux fins auxquelles ils ont été conçus.

Si vous désirez obtenir plus de détails concernant ces accessoires, veuillez contacter le centre de service après-vente Makita le plus près.

- Chaîne coupante
- Guide-chaîne pour 300 mm (1-3/16")
- Roue dentée 4 pour 30 mm (1-3/16")
- Graisseur (100 cc)
- Clé 13-17

**NOTE :** Certains éléments de la liste peuvent être inclus avec l'outil comme accessoires standards. Ils peuvent varier suivant les pays.

## GARANTIE LIMITÉE MAKITA

Pour les conditions de garantie en vigueur qui s'appliquent à ce produit, veuillez vous reporter à la feuille de garantie en annexe. Si la feuille de garantie en annexe n'est pas disponible, reportez-vous aux détails de la garantie présentés sur le site Web de votre pays, ci-dessous.

États-Unis d'Amérique: [www.makitatools.com](http://www.makitatools.com)

Canada: [www.makita.ca](http://www.makita.ca)

Autres pays: [www.makita.com](http://www.makita.com)

## ESPECIFICACIONES

| Modelo                       |   | 7104L  |
|------------------------------|---|--|
| Capacidades                  | Longitud máxima del orificio (longitudinal) | 130 mm (5-1/8")  |
|                              | Profundidad máxima del orificio             | 155 mm (6-1/8")  |
|                              | Anchura máxima del orificio                 | 308 mm (12-1/8")   |
| Velocidad sin carga (r.p.m.) |   | 3 200  |
| Dimensiones (La × An × Al)   |   | 512 mm (20-5/32") × 298 mm (11-3/4") × 513 mm (20-3/16") |
| Peso neto                    |   | 17,3 kg (38,1lbs)  |

- Debido a nuestro programa continuo de investigación y desarrollo, las especificaciones aquí dadas están sujetas a cambios sin previo aviso.
- Las especificaciones pueden ser diferentes de país a país.
- Peso de acuerdo al procedimiento de EPTA-01/2003

### Por su propia seguridad lea el Manual de Instrucciones

**Antes de utilizar la herramienta**  
**Guarde las instrucciones para referencia futura**

### PRECAUCIONES DE SEGURIDAD GENERALES


#### (Para todas las herramientas)

- 1. CONOZCA SU HERRAMIENTA ELÉCTRICA.** Lea el manual del usuario atentamente. Conozca las aplicaciones y limitaciones de la herramienta, así como también los riesgos potenciales específicos propios de la misma.
- 2. NO quite los protectores** y manténgalos en buen estado de funcionamiento.
- 3. RETIRE LAS LLAVES DE AJUSTE Y DE APRIETE.** Adquiera el hábito de comprobar y ver que las llaves de ajuste y de apriete estén retiradas de la herramienta antes de ponerla en marcha.
- 4. MANTENGA EL ÁREA DE TRABAJO LIMPIA.** Las áreas y bancos de trabajo desordenados y amontonados hacen que los accidentes sean propensos.
- 5. NO LAS UTILICE EN AMBIENTES PELIGROSOS.** No utilice las herramientas eléctricas en lugares húmedos o mojados, ni las exponga a la lluvia. Mantenga el área de trabajo bien iluminada. No utilice la herramienta en presencia de líquidos o gases inflamables.
- 6. MANTENGA ALEJADOS A LOS NIÑOS.** Todos los visitantes deberán ser mantenidos a una distancia segura del área de trabajo.
- 7. MANTENGA EL TALLER A PRUEBA DE NIÑOS** con candados, interruptores maestros, o quitando las llaves de encendido.
- 8. NO FORCE LA HERRAMIENTA.** La herramienta realizará la tarea mejor y de forma más segura a la potencia para la que ha sido diseñada.
- 9. UTILICE LA HERRAMIENTA APROPIADA.** No force la herramienta ni los accesorios realizando con ellos un trabajo para el que no han sido diseñados.
- 10. PÓNGASE INDUMENTARIA APROPIADA.** No se ponga ropa holgada, guantes, corbata, anillos, pulseras, ni otro tipo de alhajas que puedan engancharse en las partes móviles. Se recomienda utilizar calzado antiderrapante. Recójase el cabello o si lo tiene largo o cúbralo para su protección.
- 11. UTILICE SIEMPRE GAFAS DE SEGURIDAD.** Utilice también careta contra el polvo si la operación de corte es polvorienta. Las gafas de uso diario para la vista sólo tienen lentes que pueden proteger contra pequeños impactos, NO son gafas de seguridad.
- 12. SUJETE LA PIEZA DE TRABAJO.** Utilice mordazas o un tornillo de banco para sujetar la pieza de trabajo cuando resulte práctico. Es más seguro que utilizar la mano y además dispondrá de ambas manos para manejar la herramienta.
- 13. NO UTILICE LA HERRAMIENTA DONDE NO ALCANCE.** Mantenga los pies sobre suelo firme y el equilibrio en todo momento.
- 14. DÉ MANTENIMIENTO A SUS HERRAMIENTAS.** Mantenga las herramientas afiladas y limpias para obtener de ellas un mejor y más seguro rendimiento. Siga las instrucciones para lubricarlas y cambiar los accesorios.
- 15. DESCONECTE LAS HERRAMIENTAS** antes de darles mantenimiento; cuando cambie accesorios tales como discos, brocas, cuchillas, y otros por el estilo.
- 16. REDUZCA EL RIESGO DE PUESTAS EN MARCHA INVOLUNTARIAS.** Asegúrese de que el interruptor esté en posición desactivada antes de conectar la herramienta.



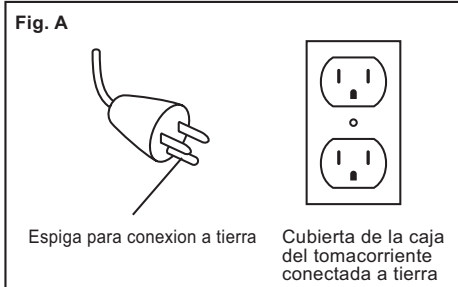
17. **UTILICE ACCESORIOS RECOMENDADOS.** Consulte el manual del propietario para ver los accesorios recomendados. La utilización de accesorios no apropiados podría ocasionar un riesgo de heridas a personas.
18. **NO SE PARE NUNCA ENCIMA DE LA HERRAMIENTA.** Si se tropieza y enciende la herramienta, o si se toca sin querer el disco de corte podrá ocasionar graves heridas.
19. **COMPRUEBE LAS PARTES DAÑADAS.** Si un protector u otra parte están dañados, antes de seguir utilizando la herramienta deberá verificarlos cuidadosamente para cerciorarse de que van a funcionar debidamente y realizar la función para la que han sido previstos - compruebe la alineación de las partes móviles, la sujeción de las partes móviles, si hay partes rotas, el montaje y cualquier otra condición que pueda afectar su operación. Un protector u otra parte que esté dañada deberá ser reparada o debidamente cambiada. Si el cordón de alimentación es dañado, éste deberá ser reemplazado por un cordón especial o ensamblado disponible por parte del fabricante o su centro de servicio.
20. **DIRECCIÓN DE AVANCE.** Avance la pieza de trabajo hacia el disco o cuchilla solamente a contra dirección del giro de los mismos.
21. **NO DESCUIDE NI DEJE NUNCA LA HERRAMIENTA MIENTRAS ESTÉ EN MARCHA. DESCONECTE LA ALIMENTACIÓN.** No deje la herramienta hasta que haya detenido completamente.
22. **PIEZAS DE REPUESTO.** Cuando se dé el servicio a la herramienta (mantenimiento), utilice solamente piezas de repuesto idénticas.
- ADVERTENCIA SOBRE EL VOLTAJE:** Antes de conectar la herramienta a una toma de corriente (receptáculo, fuente de alimentación, etc.), asegúrese de que la tensión suministrada es igual a la especificada en la placa de características de la herramienta. Una toma de corriente con un voltaje mayor que el especificado para la herramienta podrá resultar en **HERIDAS GRAVES** al usuario - así como también daños a la herramienta. Si no está seguro, **NO CONECTE LA HERRAMIENTA.** La utilización de una toma de corriente con un voltaje menor al nominal indicado en la placa de características es dañino para el motor.
- UTILICE UN CABLE DE EXTENSIÓN ADECUADO.** Utilice sólo cables de extensión de tres conductores que tienen clavijas de tres espigas a tierra y tomas de corriente de tres polos que aceptan la clavija de la herramienta. Asegúrese de que el cable de extensión esté en buenas condiciones. Reemplace o repare el cable dañado o gastado inmediatamente. Cuando use un cable de extensión, asegúrese de que éste sea lo suficientemente potente como para soportar la tensión eléctrica que producirá el uso de la herramienta. Un cable demasiado delgado producirá una reducción del voltaje, lo que ocasionará una disminución en la corriente y sobrecalentamiento. La tabla 1 muestra el tamaño correcto de cable, dependiendo de la longitud y del rango de amperio establecido en la placa de fábrica. Si tiene duda, utilice uno más potente. Cuanto más pequeño sea el número del calibre, más potente será el cable.

Tabla 1. Calibre mínimo para el cable

| Amperaje nominal |           | Volts   | Longitud total del cable en metros |                |                  |                 |
|------------------|-----------|---|------------------------------------|----------------|------------------|-----------------|
|                  |           | 120 V  | 7,6 m (25 ft)                      | 15,2 m (50 ft) | 30,4 m (100 ft)  | 45,7 m (150 ft) |
| Más de           | No más de | Calibre del cable (AWG)   |                                    |                |                  |                 |
| 0 A              | 6 A       |   | 18                                 | 16             | 16               | 14              |
| 6 A              | 10 A      |   | 18                                 | 16             | 14               | 12              |
| 10 A             | 12 A      |   | 16                                 | 16             | 14               | 12              |
| 12 A             | 16 A      |   | 14                                 | 12             | No se recomienda |                 |

**INSTRUCCIONES PARA CONEXIÓN A TIERRA:**

Esta herramienta deberá ser conectada a tierra mientras está en uso para proteger al operador de sufrir una descarga eléctrica. La herramienta está equipada con un cable de tres conductores y un enchufe de tres clavijas para conexión a tierra para adaptarse a la toma de corriente apropiada de conexión a tierra. El conductor verde (o verde y amarillo) en el cable es el conductor de conexión a tierra. Nunca conecte el conductor verde (o verde y amarillo) a una terminal con corriente. Su unidad es para usar en 120 voltios y tiene un enchufe igual al que aparece en la Figura "A".



## NORMAS DE SEGURIDAD ADICIONALES

### Advertencias y precauciones

1. Use esta herramienta sólo para hacer cortes de orificios en madera.
2. Esta herramienta es para hacer cortes de orificios en madera con superficie plana. Nunca la utilice para hacer orificios en un tronco.
3. Póngase protectores de oídos.
4. Maneje la cadena de cuchillas con mucha precaución, ya que es demasiado filosa.
5. Coloque la pieza de trabajo sobre bloques de madera o barras cortas para prevenir que la cadena de cuchillas haga contacto con el suelo, piso, etc. lo cual ocasionaría daños a la cadena de cuchillas al momento de traspasar el corte.
6. Revise la cadena de cuchillas cuidadosamente para ver si hay grietas o daños antes de la operación. Reemplace de inmediato la cadena de cuchillas si hay alguna grieta o daño.
7. Fije la herramienta a la pieza de trabajo firmemente.
8. Inspeccione y elimine los clavos y objetos extraños de la pieza de trabajo antes de la operación.
9. No opere la herramienta con la cubierta protectora abierta.
10. No use guantes durante la operación.
11. Mantenga las manos alejadas de las partes móviles.
12. Retire la herramienta de la pieza de trabajo tras la operación para evitar que se caiga y ocurra una lesión posible.
13. No jale el cable. Nunca jale el cable para desconectarlo desde la toma de corriente. Mantenga el cable alejado del calor, aceite, agua ni bordes filosos.

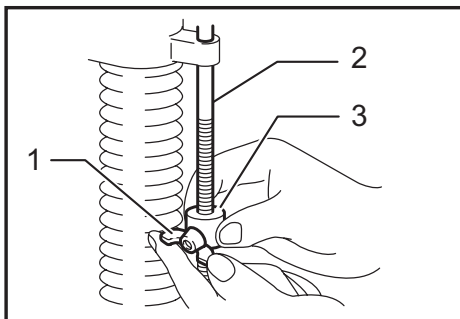
## GUARDE ESTAS INSTRUCCIONES.

## DESCRIPCIÓN DEL FUNCIONAMIENTO

### ⚠PRECAUCIÓN:

- Asegúrese siempre de que la herramienta esté apagada y desconectada antes de ajustar o comprobar cualquier función en la misma.

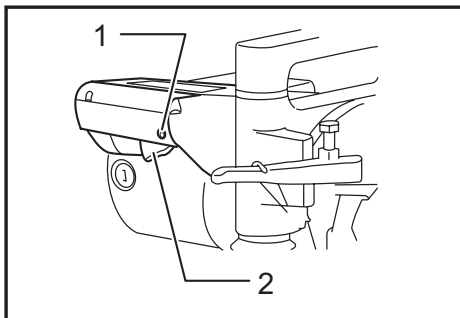
### Ajuste de la profundidad de corte



- 1. Tornillo de mariposa 2. Tope de profundidad  
3. Tapón

Aloje el perno mariposa sobre el tope. Mueva el tope a la posición deseada y apriete el perno mariposa. Al apretarse, la punta de los pernos mariposa debe hacer contacto con la superficie plana de la clavija del tope. Los números indicados en la clavija del tope están en centímetros (3 mm (1/8") por graduación).

### Accionamiento del interruptor



- 1. Orificio para candado 2. Gatillo interruptor

### ⚠PRECAUCIÓN:

- Antes de conectar la herramienta, compruebe siempre que el gatillo interruptor se acciona debidamente y que vuelve a la posición "OFF" (apagado) cuando lo suelta.

Para comenzar a utilizar la herramienta, simplemente presione el gatillo interruptor. Suéltelo para detenerla. Se dispone de un orificio en la agarradera para la inserción de un candado para prevenir el encendido de la herramienta.

### **⚠️ ADVERTENCIA:**

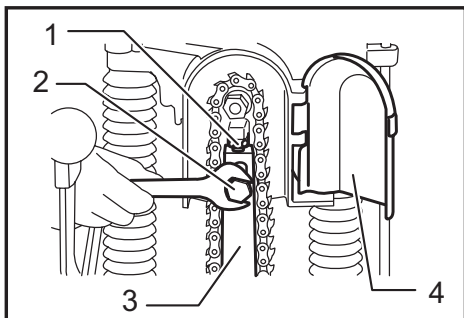
- No use un candado con un grosor menor de 2,5 mm (0,1") de diámetro.

## **ENSAMBLE**

### **⚠️ PRECAUCIÓN:**

- Asegúrese siempre de que la herramienta esté apagada y desconectada antes de realizar cualquier trabajo en la misma.

## **Instalación o desinstalación de la cadena de cuchillas**



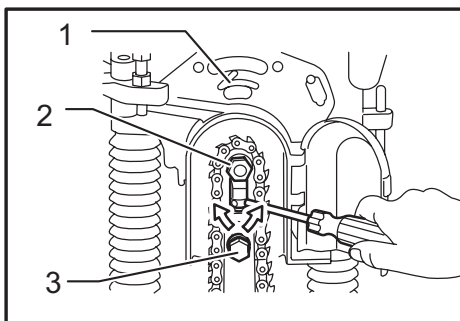
- 1. Tornillo de ajuste 2. Tornillo hexagonal 3. Barra de la cadena 4. Cubierta de la cadena

### **⚠️ ADVERTENCIA:**

- Asegúrese siempre de que la herramienta esté apagada y desenchufada antes de poner y quitar la cadena de cuchillas.
- Cierre siempre la cubierta de la cadena tras instalar, quitar o ajustar la cadena de cuchillas.

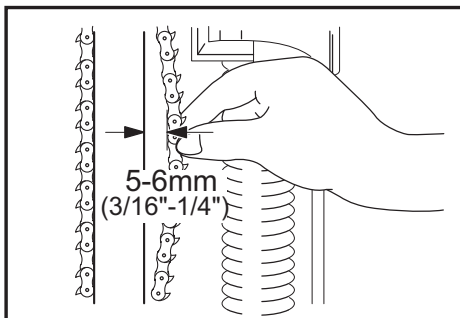
Para instalar la cadena de cuchillas, abra la cubierta de la cadena. Afloje el perno hexagonal fijando la barra de la cadena y ajustando el tornillo.

Oriente las cuchillas en dirección de la flecha sobre la herramienta (dirección rotacional). Adapte la cadena de cuchillas a la rueda dentada primero y luego a la barra de la cadena. Apriete parcialmente el perno hexagonal.



- 1. Flecha 2. Rueda de engranaje 3. Tornillo hexagonal

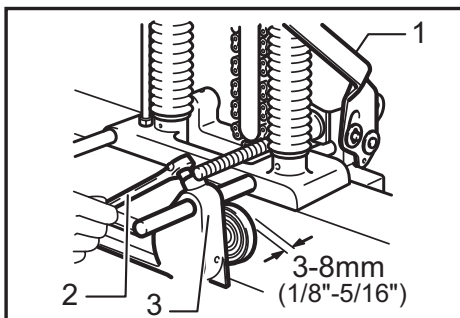
Gire el tornillo ajustador para incrementar la tensión sobre la cadena de cuchillas. Jale ligeramente la cadena de cuchillas por el punto medio. Al momento de obtener un espacio despejado de entre 5 y 6 mm (3/16" - 1/4") entre la barra de la cadena y la cadena de cuchillas, se conseguirá la tensión adecuada de la misma.



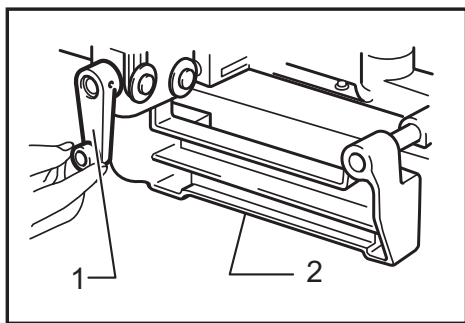
Tras ajustar la tensión, apriete el perno hexagonal con firmeza para fijar la barra de la cadena. Adicionalmente, apriete ligeramente el tornillo ajustador. Cierre la cubierta de la cadena.

Para desmontar la cadena de cuchillas, siga el procedimiento de instalación a la inversa.

## **Fijación de la herramienta a la pieza de trabajo**

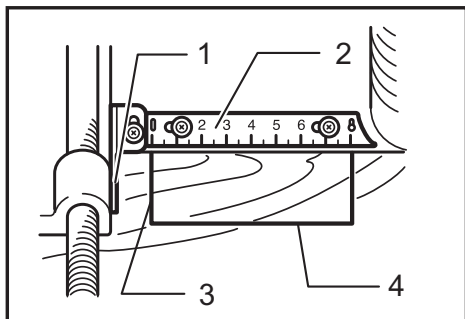


- 1. Palanca (A) 2. Tornillo de banco trasero 3. Palanca de tornillo de banco



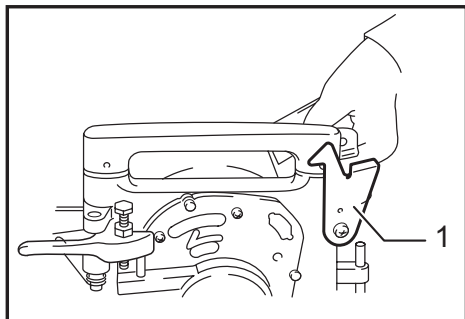
► 1. Agarradera de colocación 2. Tornillo de banco frontal

Afloje la palanca del tornillo de banco y mueva el tornillo de banco trasero hacia atrás. Coloque la herramienta sobre la pieza de trabajo de tal forma que el tornillo de banco frontal haga contacto con el costado de la pieza de trabajo. Mueva el tornillo de banco trasero hacia adelante hasta que la distancia entre el tornillo de banco trasero y la pieza de trabajo sea entre 3 y 8 mm (1/8" - 5/16"). Apriete la palanca del tornillo de banco para fijar el tornillo de banco trasero. Mueva la herramienta de tal modo que el "0" de la placa de indicación quede alineado con la línea de corte (A). Baje la palanca (A) por completo para fijar a la pieza de trabajo. Gire la agarradera de colocación hasta que el borde frontal de la placa indicadora amarilla quede alineado con la línea de corte (B).



► 1. Placa indicadora 2. Placa de indicación 3. Línea de corte (A) 4. Línea de corte (B)

## OPERACIÓN



► 1. Gancho

Sujete firmemente las empuñaduras en cada lado. Encienda la herramienta y espere hasta que la cadena de cuchillas adquiera velocidad completa. Luego libere el gancho y baje la cabeza de la herramienta para hacer el corte en la pieza de trabajo. No ejerza presión excesiva sobre la herramienta. Puede que esto no sólo disminuya la eficiencia de trabajo, sino que además cause una reacción peligrosa. Avance lentamente al comienzo de la operación de corte, al momento de que el corte traspase y cuando se haga un corte de punto nodular sobre la pieza de trabajo. Tras hacer el corte, levante con cuidado la cabeza de la herramienta hasta que pueda engancharla de nuevo al gancho. Luego apague la herramienta. Levante la palanca (A) y retire la herramienta de la pieza de trabajo.

### ⚠ ADVERTENCIA:

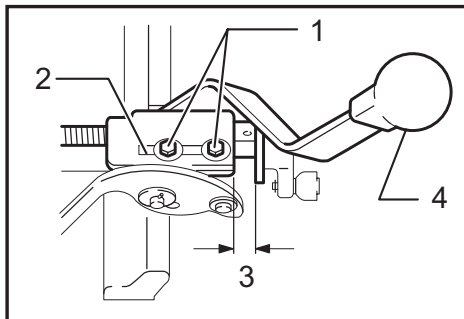
- Enganche siempre la herramienta al gancho al no estaría utilizando.
- Nunca intente hacer un corte sobre una pieza de trabajo torcida o pandeada a la que la herramienta no pueda fijarse con firmeza.

## Ajuste de la placa indicadora y placa de indicación

La placa indicadora amarilla y la placa de indicación están ajustadas de fábrica para cadenas de cuchillas equipadas estándar de 18 mm (23/32"). Si la alineación es inadecuada por alguna razón, o si se utiliza una cadena de cuchillas de otro tamaño, afloje los tornillos y ajuste la placa indicadora amarilla a la placa de indicación.

## Agrandamiento de orificios

### 1. Agrandamiento transversal (anchura)



► 1. Tornillos hexagonales 2. Placa calibradora 3. Distancia de desplazamiento (D) 4. Palanca (B)

Un orificio puede ser agrandado transversalmente al ajustar la placa de calibración. La expansión máxima de la anchura del orificio es de 15 mm (5/16").

EJEMPLO Al hacer el corte de un orificio con una anchura de 25 mm (1") usando una cadena de cuchillas de 18 mm (23/32"), proceda como se indica a continuación:

- Empuje la palanca (B) alejándola de usted. Afloje los pernos hexagonales fijando la placa de calibración.
- Ajuste la placa de calibración de tal forma que la distancia de desplazamiento (D) sea de 7 mm (9/32"); esto es, 25 mm (1") - 18 mm (23/32") = 7 mm (9/32"). Apriete los pernos hexagonales para fijar la placa de calibración.
- Haga el corte del primer orificio con la palanca (B) en la posición alejada de usted. Luego jale la palanca (B) hacia usted y haga el corte de nuevo para agrandar el orificio.

**NOTA:**

- La placa de calibración está ajustada de fábrica para hacer cortes de orificios con anchura de 30 mm (1-3/16") usando una cadena de cuchillas de 18 mm (23/32").

## 2. Agrandamiento longitudinal (longitud)

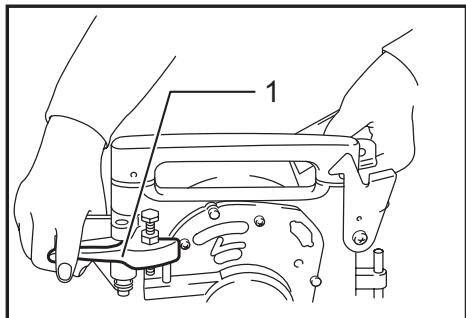
La longitud del orificio puede determinarse en los tres pasos que se muestran en la tabla a continuación:

| Posición de la cadena de cuchillas | Longitud de orificio a ser cortado  |
|------------------------------------|-------------------------------------|
| Posición original                  | 52,5 mm (2-1/16")                   |
| Posición predeterminada No. 1      | 52,5 mm (2-1/16") - 105 mm (4-1/8") |
| Posición predeterminada No. 2      | 77,5 mm (3-1/16") - 130 mm (5-1/8") |

**NOTA:**

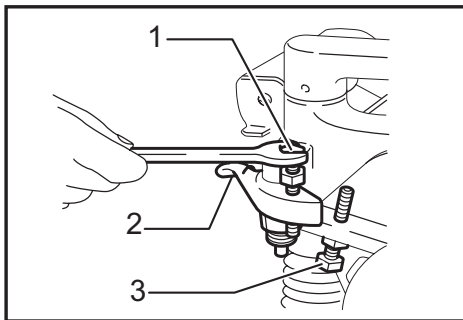
- Un orificio con una pequeña longitud mayor a la predeterminada puede realizarse dependiendo de la tensión de la cadena de cuchillas.
- Los pernos hexagonales ajustadores están ajustados de fábrica para hacer cortes de orificios con una longitud de 90 mm (3-9/16") en la posición de predeterminada No.1 y de 120 mm (4-3/4") en la posición de predeterminada No.2.

Descienda la empuñadura derecha mientras asciende la empuñadura izquierda. Asegure que los pernos hexagonales ajustadores queden fijos en su lugar.



► 1. Palanca (C)

Afloje la tuerca hexagonal fijando el perno hexagonal ajustador. Gire el perno hexagonal ajustador hasta que la cadena de cuchillas alcance la posición deseada y luego apriete la tuerca hexagonal.



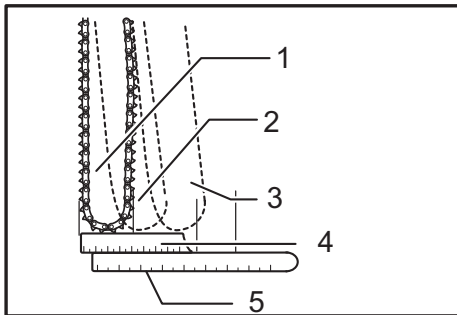
► 1. Ajuste del perno hexagonal para la posición predeterminada No. 1 2. Palanca (C) 3. Ajuste del perno hexagonal para la posición predeterminada No. 2

**⚠ ADVERTENCIA:**

- Al aplicar presión para girar el perno hexagonal ajustador o tuerca hexagonal, tenga cuidado de no dejar que el perno hexagonal ajustador se salga de la posición predeterminada.

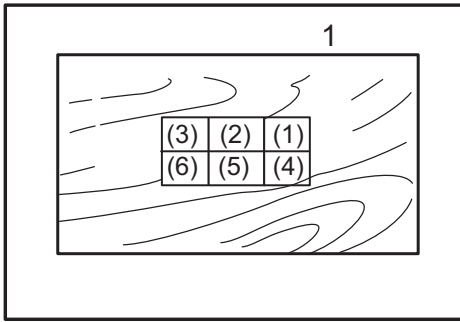
Para regresar la cadena de cuchillas a la posición perpendicular (original), jale la palanca (C) hacia usted mientras presiona la empuñadura derecha y eleva ligeramente la izquierda y mueva la cadena de cuchillas hacia su posición original.

Al hacer el corte de un orificio, primer use la posición original, luego la posición predeterminada No.1 y finalmente la posición predeterminada No.2. Enganche siempre con seguridad la herramienta hacia el gancho al cambiar la posición de la cadena de cuchillas.



► 1. Posición original 2. Posición predeterminada No. 1 3. Posición predeterminada No. 2 4. Placa de indicación 5. Regla

Al agrandar un orificio tanto transversal como horizontalmente, haga los cortes de los orificios en el orden indicado como se muestra en No.(1) a (6). Esto facilita y hace eficiente el agrandamiento del orificio.

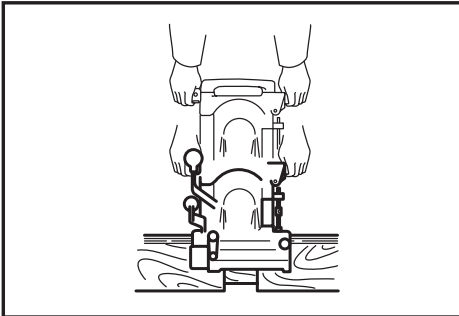


► 1. Base frontal

### ⚠ ADVERTENCIA:

- Nunca intente agrandar un orificio con una cadena de cuchillas que aún permanece en el orificio. Esto ocasionará una operación inestable y peligrosa.
- Nunca incline la cadena de cuchillas al hacer el corte inicial del orificio o puede que se produzca un retroceso brusco. Siempre tenga la cadena de cuchillas puesta en la posición perpendicular al hacer cortes iniciales de orificios.

Se pueden hacer cortes de coyunturas sobrepuestas de hasta 130 mm (5-1/8”).



### NOTA:

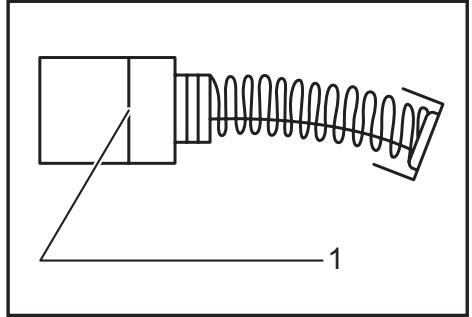
- Sólo se pueden hacer cortes de coyunturas sobrepuestas sobre la parte frontal de la pieza de trabajo (el lado alejado de usted).

## MANTENIMIENTO

### ⚠ PRECAUCIÓN:

- Asegúrese siempre que la herramienta esté apagada y desconectada antes de intentar realizar una inspección o mantenimiento.
- Nunca use gasolina, bencina, diluyente (tíner), alcohol o sustancias similares. Puede que esto ocasione grietas o descoloramiento.

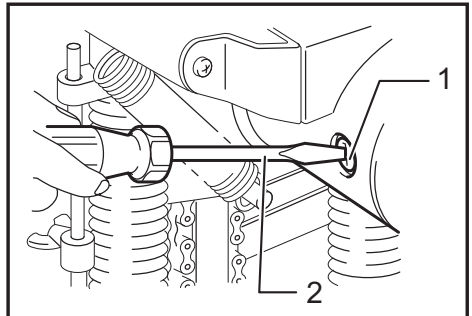
## Reemplazamiento de las escobillas de carbón



► 1. Marca límite

Extraiga e inspeccione de forma periódica las escobillas de carbón. Sustitúyalas cuando se hayan gastado hasta la marca límite. Mantenga las escobillas de carbón limpias de forma que entren libremente en los portaescobillas. Ambas escobillas de carbón deberán ser sustituidas al mismo tiempo. Utilice únicamente escobillas de carbón originales e idénticas.

Utilice un destornillador para quitar Tapa del carbón. Extraiga las escobillas gastadas, inserte las nuevas y vuelva a colocar las tapas.



► 1. Tapa del carbón 2. Destornillador

## Lubricación

Tras la operación, elimine los residuos, astillas y materia ajena que se haya pegado a la herramienta. Luego lubrique las piezas móviles (especialmente la cadena de cuchillas) y las partes de contacto.

Para mantener la SEGURIDAD y FIABILIDAD del producto, las reparaciones, la inspección y sustitución de las escobillas de carbón, y cualquier otro mantenimiento o ajuste deberán ser realizados en Centros o Servicios de fábrica Autorizados por Makita, empleando siempre piezas de repuesto de Makita.

# ACCESORIOS OPCIONALES

## **⚠ PRECAUCIÓN:**

- Estos accesorios o aditamentos (incluidos o no) están recomendados para utilizar con su herramienta Makita especificada en este manual. El empleo de cualesquiera otros accesorios o acoplamientos conllevará un riesgo de sufrir heridas personales. Utilice los accesorios o acoplamientos solamente para su fin establecido.

Si necesita cualquier ayuda para más detalles en relación con estos accesorios, pregunte a su centro de servicio Makita local.

- Cadena de cuchillas
- Barra de la cadena para 30 mm (1-3/16")
- Rueda dentada 4 para 30 mm (1-3/16")
- Suministro de aceite (100 cc).
- Llave 13-17

**NOTA:** Algunos de los artículos en la lista pueden incluirse en el paquete de la herramienta como accesorios estándar. Éstos pueden variar de país a país.

## **GARANTÍA LIMITADA DE MAKITA**

### **Ésta Garantía no aplica para México**

Consulte la hoja de la garantía anexa para ver los términos más vigentes de la garantía aplicable a este producto. En caso de no disponer de esta hoja de garantía anexa, consulte los detalles sobre la garantía descritos en el sitio web de su país respectivo indicado a continuación.

Estados Unidos de América: [www.makitatools.com](http://www.makitatools.com)

Canadá: [www.makita.ca](http://www.makita.ca)

Otros países: [www.makita.com](http://www.makita.com)

< USA only >

# WARNING

Some dust created by power sanding, sawing, grinding, drilling, and other construction activities contains chemicals known to the State of California to cause cancer, birth defects or other reproductive harm. Some examples of these chemicals are:

- lead from lead-based paints,
- crystalline silica from bricks and cement and other masonry products, and
- arsenic and chromium from chemically-treated lumber.

Your risk from these exposures varies, depending on how often you do this type of work. To reduce your exposure to these chemicals: work in a well ventilated area, and work with approved safety equipment, such as those dust masks that are specially designed to filter out microscopic particles.

< Sólo en los Estados Unidos >

# ADVERTENCIA

Algunos polvos creados por el lijado, aserrado, esmerilado, taladrado y otras actividades de la construcción contienen sustancias químicas reconocidas por el Estado de California como causantes de cáncer, defectos de nacimiento y otros peligros de reproducción. Algunos ejemplos de estos productos químicos son:

- plomo de pinturas a base de plomo,
- sílice cristalino de ladrillos y cemento y otros productos de albañilería, y
- arsénico y cromo de maderas tratadas químicamente.

El riesgo al que se expone varía, dependiendo de la frecuencia con la que realice este tipo de trabajo. Para reducir la exposición a estos productos químicos: trabaje en un área bien ventilada y póngase el equipo de seguridad indicado, tal como las máscaras contra polvo que están especialmente diseñadas para filtrar partículas microscópicas.

**Makita Corporation**

3-11-8, Sumiyoshi-cho,  
Anjo, Aichi 446-8502 Japan

[www.makita.com](http://www.makita.com)

883685B942  
7104L-1  
EN, FRCA, ESMX  
20190705